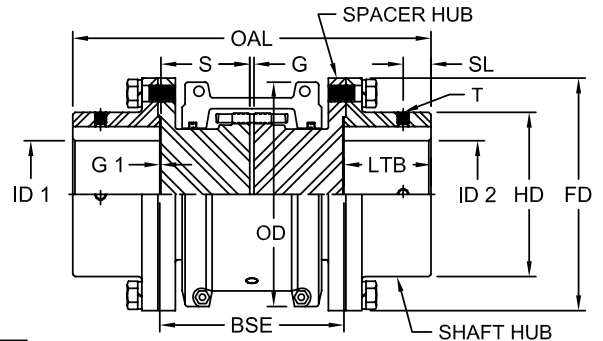


Spacer Style Grid Couplings

The full spacer design grid coupling is ideal for pump applications. The drop-out section allows for pump servicing.



Grid Series Spacer Style Performance Data

Size	Basic HP Ratings @ Varying RPM			Torque Ratings		Max RPM x 1000
	100	1200	1800	in-lbs	Nm	
1020	0.67	8.04	12.06	422	48	3.600
1030	1.88	22.56	33.84	1,200	136	3.600
1040	3.22	38.64	57.96	2,000	226	3.600
1050	5.49	65.88	98.82	3,500	395	3.600
1060	8.71	104.52	156.78	5,500	621	3.600
1070	12.73	152.76	229.14	8,000	904	3.600
1080	26.13	313.56	470.34	16,500	1 864	3.600
1090	47.57	570.84	856.26	30,000	3 390	3.600

Grid Series Spacer Style Dimensional Data

Size	OAL	S	G	SL	T	ID1 - ID2				LTB	G1	OD	BSE	FD	HD	
						Min Bore		Max Bore								
						in	mm	in	mm							
1020	6.26	1.63	0.19	0.30	# 8-32	Solid	Solid	1.38	35	1.38	0.03	4.00	3.50	3.38	2.06	
	7.76	2.38				5.00										
1030	6.74	1.63	0.19	0.38	# 8-32	Solid	Solid	1.63	41	1.62	0.03	4.38	5.00	3.69	2.34	
	8.24	2.38														7.25
	10.49	3.50														
1040	7.74	1.63	0.19	1.04	# 10-24	Solid	Solid	2.13	54	2.12	0.03	4.62	5.00	4.44	3.09	
	9.24	2.38														7.25
1050	11.49	3.50	0.19	0.78	# 10-24	Solid	Solid	2.38	60	2.38	0.03	5.44	5.00	4.94	3.44	
	9.76	2.38														7.25
1060	12.01	3.50	0.19	1.18	# 10-24	Solid	Solid	2.88	73	2.88	0.06	5.94	5.00	5.69	4.06	
	10.76	2.34														7.25
1070	13.01	3.47	0.19	1.28	# 1/4-20	Solid	Solid	3.13	79	3.12	0.06	6.38	5.00	6.00	4.31	
	11.24	2.37														7.25
1080	13.49	3.47	0.19	1.54	# 1/4-20	Solid	Solid	3.50	89	3.50	0.06	7.62	7.25	7.00	4.81	
1090	15.25	3.47	0.19	1.76	# 5-16-18	Solid	Solid	4.00	102	4.00	0.06	8.38	7.25	8.25	5.62	

Notes: ■ Couplings supplied to American Gear Manufacturers Association (AGMA) standard clearance fit and 2 set screws @ 90°. ■ For sizes larger than 1090, consult Lovejoy Application Engineering. ■ Changes in the between shaft end (BSE) measurement will change both the spacer hub length ("S" dimension) and the coupling overall length (OAL). ■ To calculate the BSE, use the following formula: BSE = (Sx2) + G + (G1 x 2).